

## FEATURES

- High power
- Loud sound output
- RoHS

## MULTIMEDIA SPEAKER

MODEL NO: HP130-4R-0405D-D

Stock No: 405

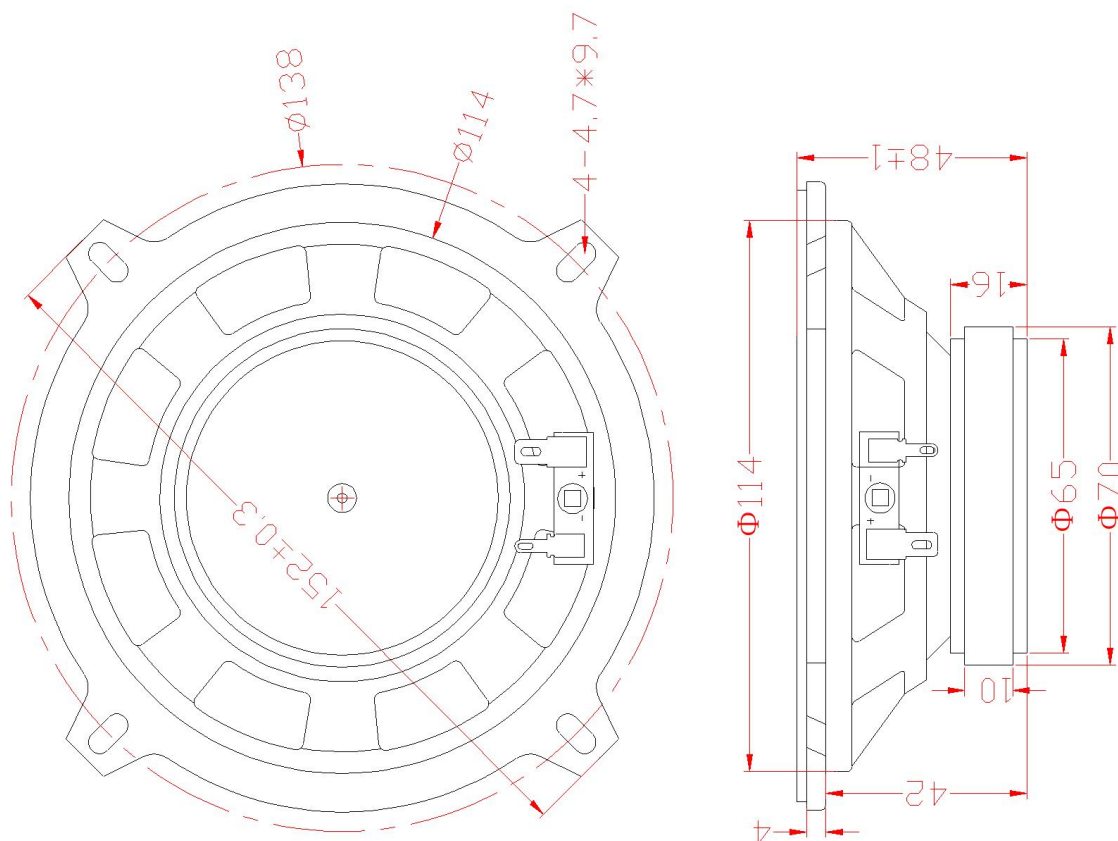


Professionally Approved Products bring to you professional quality parts across all product categories. Our product range has been tested by engineers and provides a comparable quality to the leading brands without paying a premium price.

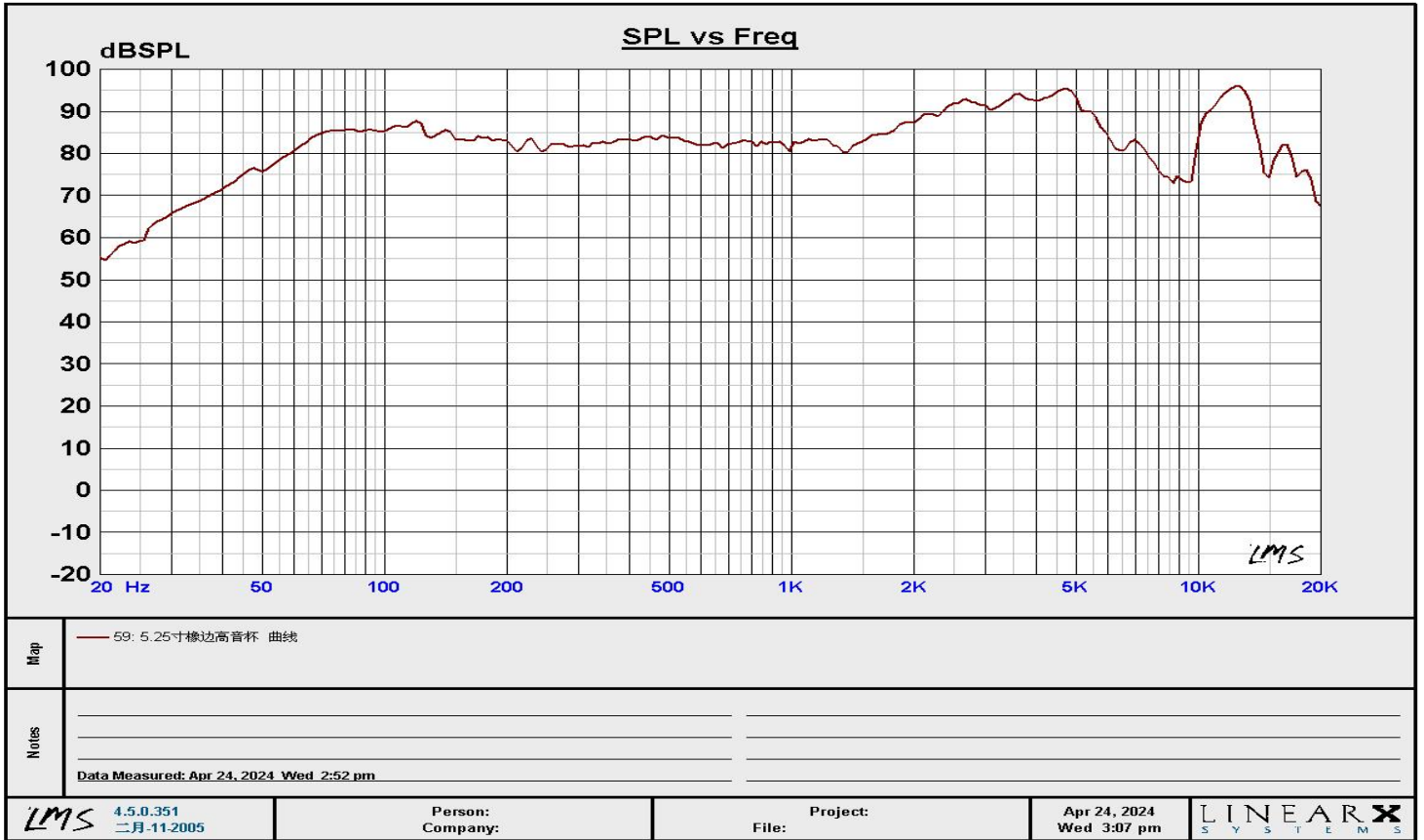
## Technical Specifications

Item	Specifications
<b>Size</b>	130mm*130mm*48mm
<b>Impedance</b>	4 ± 15%
<b>Resonance frequency</b>	90 ± 20%
<b>Rated input power</b>	10W
<b>Maximum input power</b>	15W
<b>Buzz &amp; Rattle</b>	Must be normal
<b>SPL(1W 1m sine wave)</b>	87 ± 3dB(at 1.0KHz average)
<b>THD(1W/1m,1000Hz)</b>	MAX 5%
<b>Operating temperature</b>	-25~+70℃
<b>Storage temperature</b>	-25~+70℃
<b>Weight</b>	≈270g

## Dimensional drawings



Frequency Response Curve (only for reference)



F0 Curve (only for reference)

